



Simplifying *lives.*

THE DOORS TO ELEGANCE OPEN SILENTLY.



● **E-Soft**
Linear Hinge - 3D



125° HINGE-OVERLAY
(SOFT CLOSE)



THICK DOOR HINGE 15-35mm
(SOFT CLOSE)



155° HINGE - ZERO PROTRUSION
(SOFT CLOSE)

> E-Soft

Linear Hinge - 3D

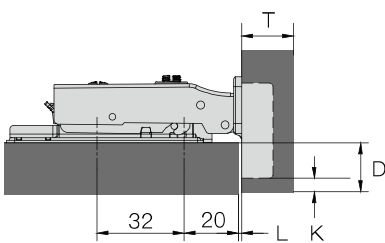
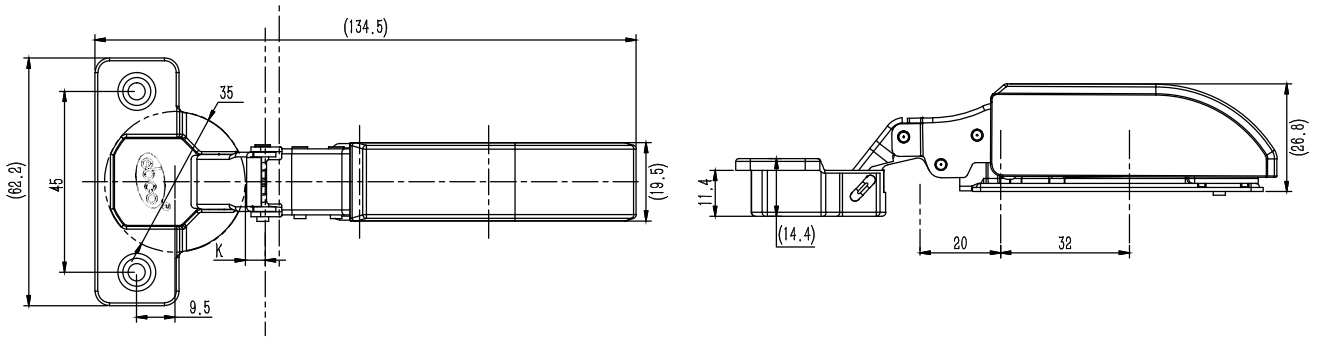


► Features

- 3D Adjustment
- Soft Closing
- Max opening : **105°**
- Max shutter size : **900mm x 600mm** (6kg) for 2 hinges
- Shutter cavity : **Ø35mm, 11.4mm** deep
- Shutter thickness : **14-22mm**
- Click-on linear mounting plate
- Cap & arm cover
- Available in **Titanium & Nickel Plated** finishes

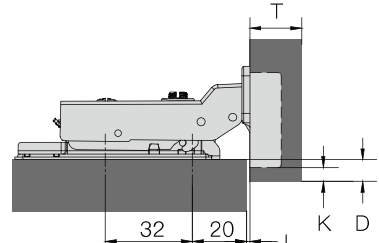
E-Soft Linear Hinge - 3D

Technical Drawings



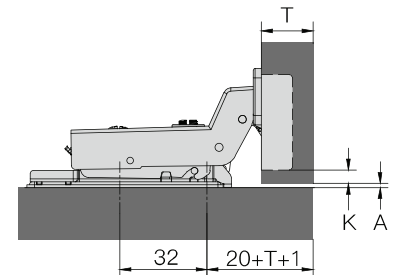
D	K	3	4	5	6	7	
H		0	17	18	19	20	21

Full Overlay



D	K	3	4	5	6	7	
H		0	8	9	10	11	12

Half Overlay



D	K	3	4	5	6	7	
H		0	1	0	-1	-2	-3

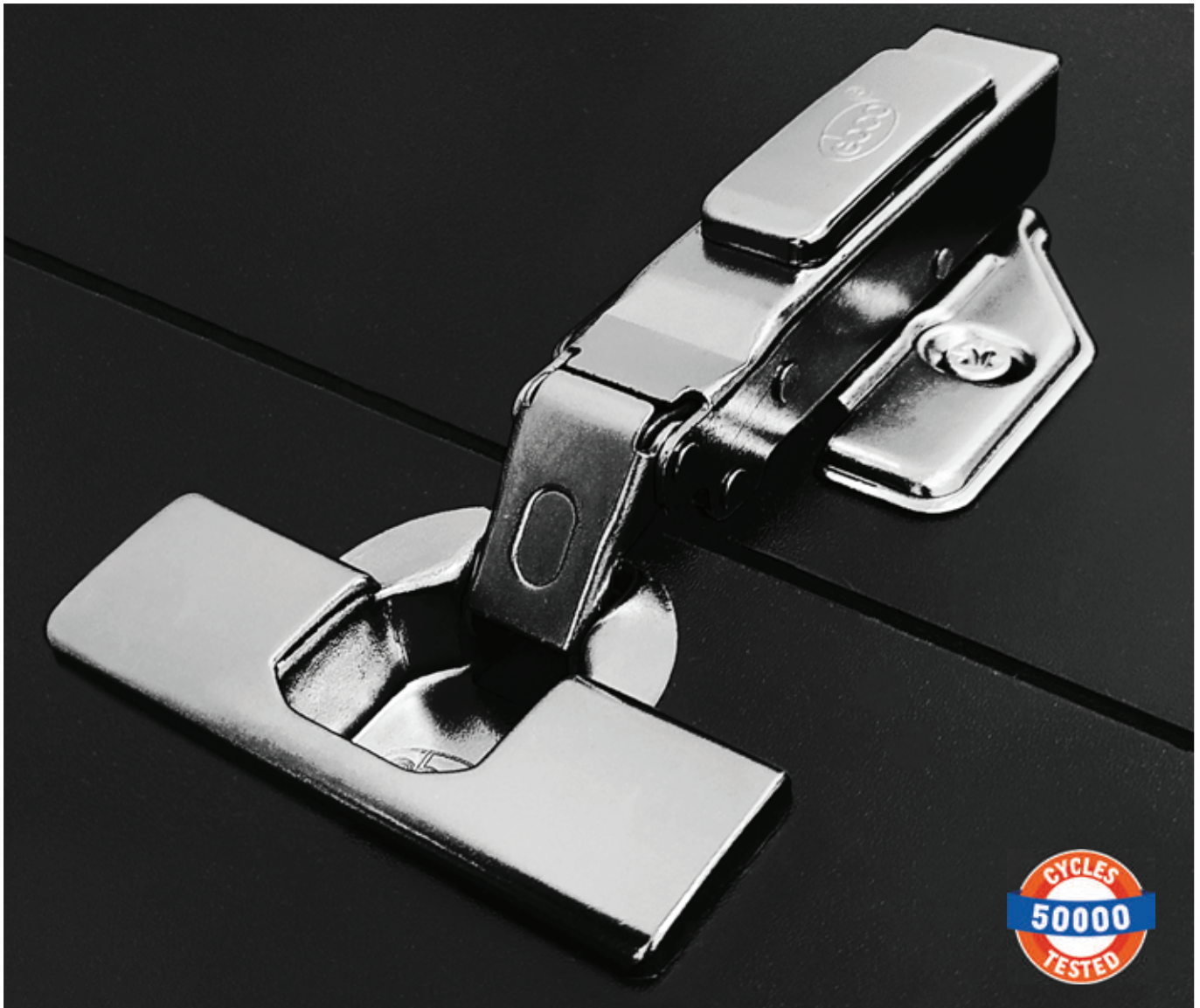
Inset

Specifications

PRODUCT	CODE	FINISH	PCS./SET
E-Soft Linear Hinge - 3D Full Overlay with Linear Mounting Plate	ESL1	Nickel Plated	Set of 2
E-Soft Linear Hinge - 3D Half Overlay with Linear Mounting Plate	ESL2	Nickel Plated	Set of 2
E-Soft Linear Hinge - 3D Inset with Linear Mounting Plate	ESL3	Nickel Plated	Set of 2
E-Soft Linear Hinge - Plastic Covers	ESL-C-NP	Nickel Plated	Set of 2
E-Soft Linear Hinge - 3D Full Overlay with Linear Mounting Plate	ESL1-TN	Titanium	Set of 2
E-Soft Linear Hinge - 3D Half Overlay with Linear Mounting Plate	ESL2-TN	Titanium	Set of 2
E-Soft Linear Hinge - 3D Inset with Linear Mounting Plate	ESL3-TN	Titanium	Set of 2
E-Soft Linear Hinge - Plastic Covers	ESL-C-TN	Titanium	Set of 2

*Subject to change without prior intimation

► 125° Hinge-Overlay (Soft close)

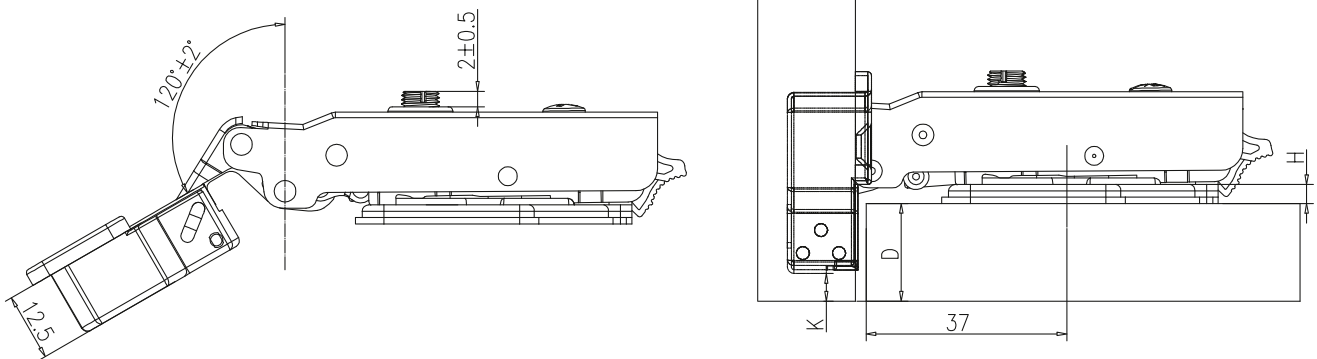


► Features

- Ideal for openable wardrobes
- Unique built-in damping system allows the shutter to close in slow motion without banging
- Available in full overlay
- Max opening : **125°**
- Max shutter size : **34" x 22" (850mm x 550 mm)** for 2 hinges
- Shutter cavity : **Ø 35mm, 13mm** deep, **4mm** from edge
- Finish : **Nickel Plated**

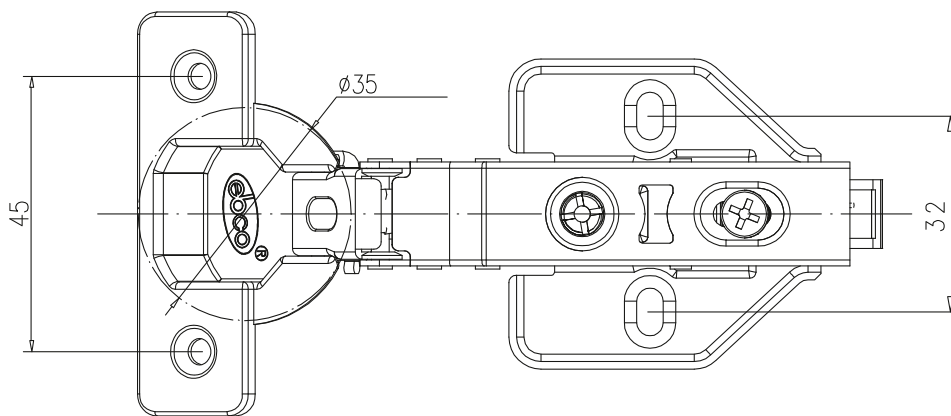
125° Hinge-Overlay (Soft close)

Technical Drawings



$$H=13+K-D$$

D	K	3	4	5
H		16	17	18

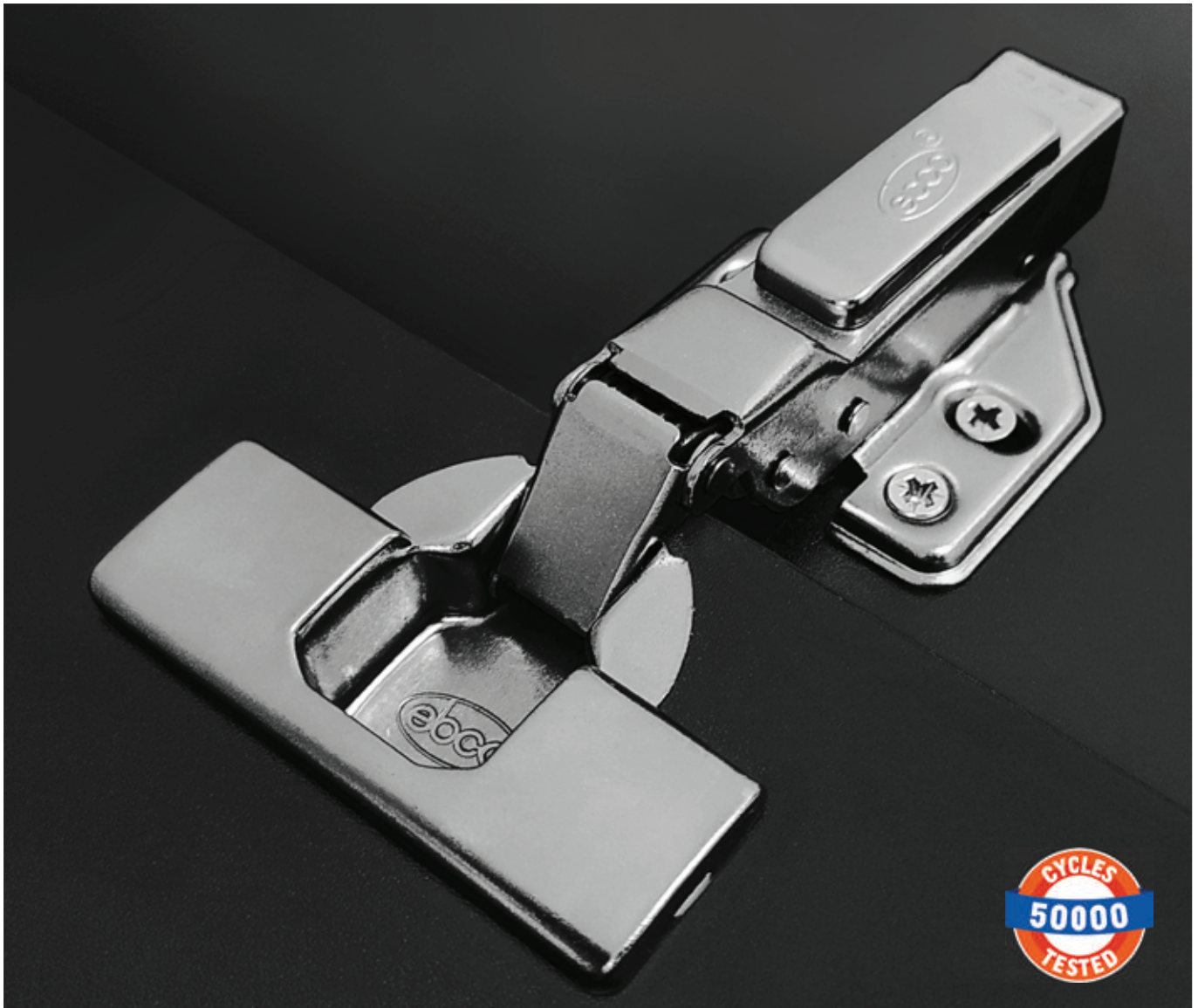


Specifications

PRODUCT	CODE	FINISH	PCS./SET
125° Hinge-Overlay (Soft Close)	H125-1-SC	Nickel Plated	Set of 2

*Subject to change without prior intimation

▶ Thick Door Hinge 15-35mm (Soft close)

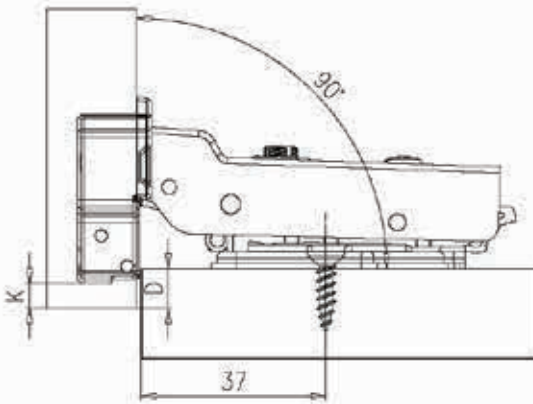
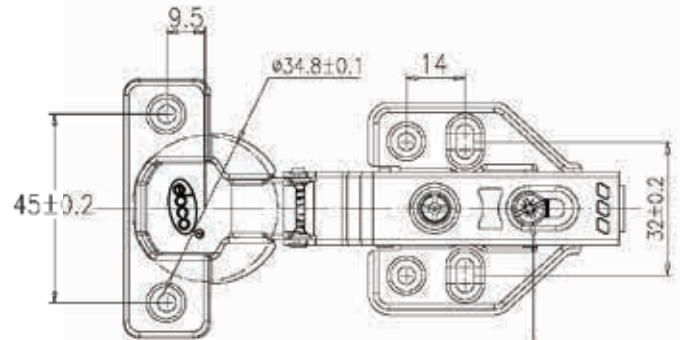
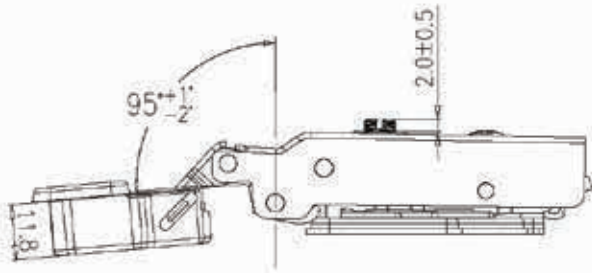


▶ Features

- Specially designed hinge for shutter thickness of **15-35mm**
- Max opening : **95°**
- For cabinet side panel thickness : **17-22mm**
- Available for Overlay & Half-overlay door applications.
- Soft-closing mechanism allows gentle closing of the cabinet door.
- Shutter cavity : **Ø35mm, 11.5mm** deep
- Finish : **Nickel Plated**

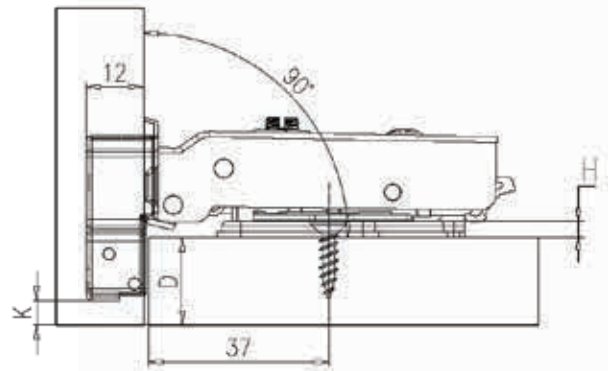
Thick Door Hinge 15-35mm (Soft close)

Technical Drawings



D	K	3	4	5	6	7	8
H		8	9	10	11	12	13

Half-Overlay



D	K	3	4	5	6	7	8
H		17	18	19	20	21	22

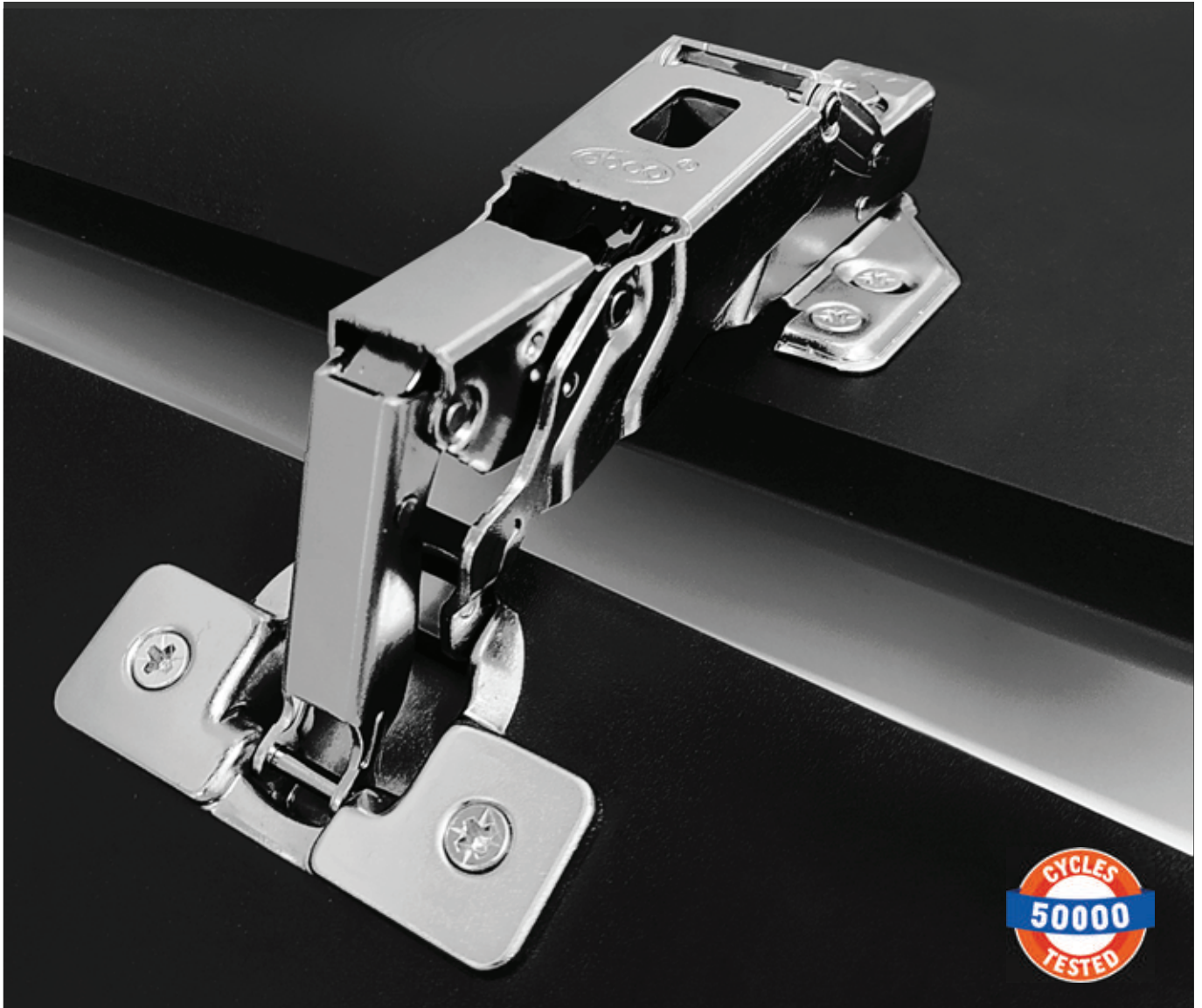
Overlay

Specifications

PRODUCT	CODE	FINISH	PCS./SET
Thick Door Hinge 15-35mm Overlay	HTD1-15-35-SC	Nickel Plated	Set of 2
Thick Door Hinge 15-35mm Half-Overlay	HTD2-15-35-SC	Nickel Plated	Set of 2

*Subject to change without prior intimation

► 155° Hinge - Zero Protrusion (Soft close)

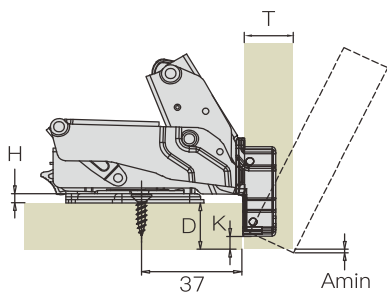
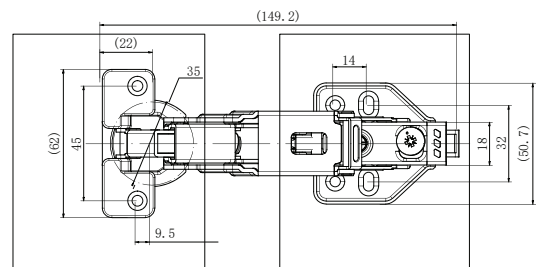
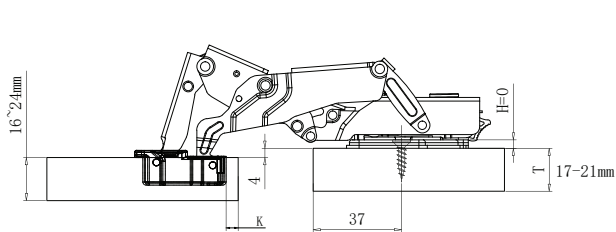
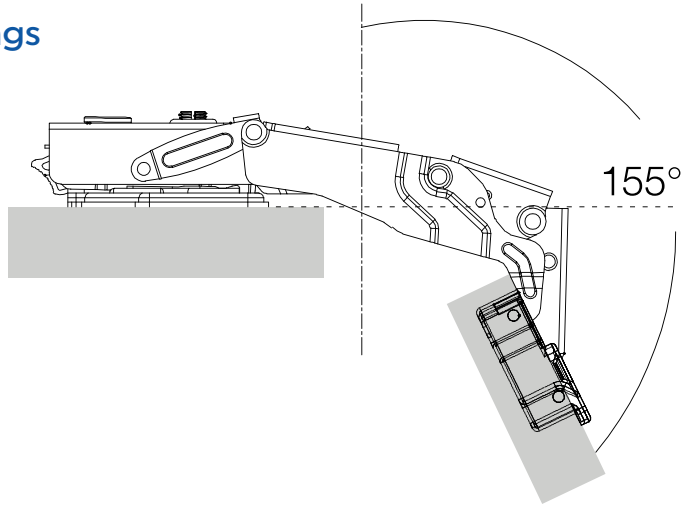


► Features

- 155° ZERO PROTRUSION hinge ensures clear/ non-obstruct opening of the cabinet door.
- Specially designed for the cabinets that house drawers.
- Available for Overlay & Half-overlay door applications.
- Max opening : **155°**
- Soft-closing mechanism allows gentle closing of the cabinet door.
- Shutter cavity : **Ø35mm, 11.5mm** deep
- Shutter thickness : **16-24mm**
- Cabinet side panel thickness : **17-21mm**
- Finish : **Nickel Plated**

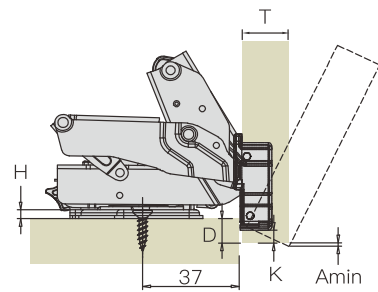
155° Hinge - Zero Protrusion (Soft close)

Technical Drawings



D	K	3	4	5	6	7
H		17	18	19	20	21

$$H=14+K-D$$



D	K	3	4	5	6	7
H		8	9	10	11	12

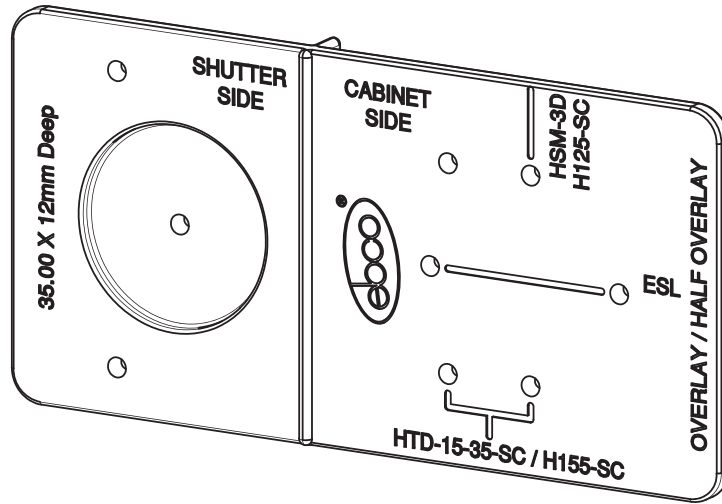
$$H=5+K-D$$

Specifications

PRODUCT	CODE	FINISH	PCS./SET
155° Hinge - Soft Close Overlay	H155-1-SC	Nickel Plated	Set of 2
155° Hinge - Soft Close Half-Overlay	H155-2-SC	Nickel Plated	Set of 2

*Subject to change without prior intimation

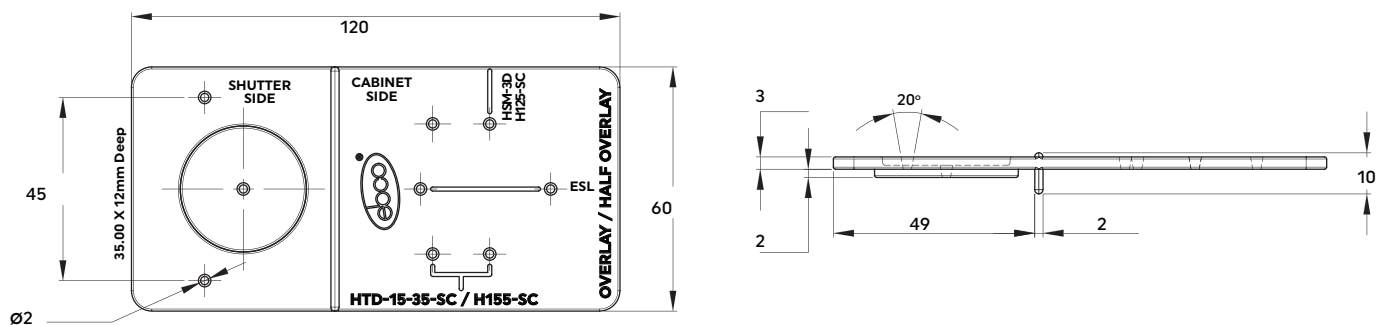
Hinge Drilling Template



Special Features

- Simultaneous marking on shutter and cabinet ensures accuracy and productivity.
- Standard 1:1 drilling template made of plastic for user convenience.
- To be used with only Overlay & Half-Overlay type of hinges.
- Drilling template can be used for following Hinges:
 - **E-Soft Linear Hinge - 3D** : ESL Series
 - **Thick Door Hinge 15-35mm (Soft Close)** : HTD 15-35-SC Series
 - **155° Hinge - Zero Protrusion (Soft Close)** : H155-SC Series
 - **Hinge Slow Motion - 3D** : HSM-3D Series
 - **125° Hinge - Overlay (Soft Close)** : H125-SC Series

Technical Drawings



Specifications

PRODUCT	CODE	FINISH	PCS./SET
Hinge Drilling Template	HDT1	-	-

*Subject to change without prior intimation