



Digital Door Locks

Safety & Security for
Private Homes



Product Profile

dormakaba has a rich heritage in access solutions with products renowned for quality and innovation. Our next-generation electronic door lock products include electronic door locks for glass doors, auxiliary surface-mounting locks, European standard size motor locks and push-pull electronic locks.

Innovation

dormakaba is devoted to innovation and has developed many products within electronic locking, including, high security RFID cards, Bluetooth connectivity (LEGIC Connect)

and TouchGo. In 2018, dormakaba was named by Thomson Reuters as a Top 100 Global Technology Leader.

Design

Adhering to the European minimalist style, dormakaba electronic locks combine a modern look with intelligent functionality.

Recent design awards include the IF Design Gold Award for MATRIX AIR in 2017 and the German Design Special Award for c-lever compact in 2017.

History

As one of the oldest door lock manufacturers, dormakaba has a history of more than 150 years, from the earliest double-sided mechanical keys to high-level security locks used by banks and hotels.

For electronic security locks, the group has nearly 1,000 global patents and has won many honors, such as 2017 German famous trademark.

Table of Contents



04 Push & Pull Digital Lock
DP830/850



08 Push/Pull Digital Lock
MP730/750



12 The Grange
Digital Entry Pull Handle



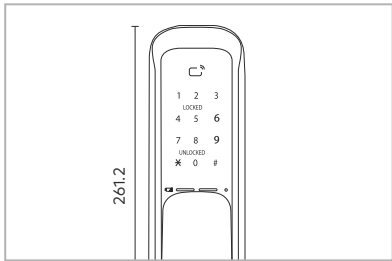
14 Digital Mortise Lock
ML330/530/550



18 Digital Rim Lock
RL599 / RL320



20 Digital Glass Lock
GL220



22 Product Dimensions



Approach to wakeup



Mute setting



Auto/Manual lock



Press to recognize fingerprints



Password sharing with Bluetooth

Push & Pull Digital Lock DP830/850

DP800 series is newly designed premium push and pull intelligent door lock. These locks are equipped with convenient push & pull handle and high secure automatic motor lock body. Push and Pull handle offers brand new experience with no fixed direction to open lock. DP850 version has fingerprint sensor on push and pull handle offering single hand opening experience. The series has Bluetooth Low Energy (BLE) feature allowing user to open the door using his mobile App & share valid password to other users.

- Push & Pull lock with no need to adjust the direction to open
- Improved security with self locking mortise
- Supports opening of door with Fingerprints (DP850), RFID Cards, Passwords, Mechanical Keys, Bluetooth Low Energy (BLE) and Remote Control (optional)
- High resolution backlit keypad
- Voice navigation
- One handed operation, super convenient
- High voltage prevention system
- High temperature alarming function
- Volume control and mute option
- Emergency battery: TYPE-C and 9V battery
- Encryption system for anti-hacking
- Mechanical key override

Door thickness for Installation : 40mm~75mm

Fingerprints registration: 100 fingerprints (DP850)

Password registration: 4-12 digits, up to 4 nos. of passwords

Card registration: 100 RFID cards

BLE device: 10 nos.

Password sharing: One-time password (hardware) or password based on time, bluetooth password (through mobile phone App)

Emergency Key: Mechanical key override

Voltage: DC 6V, 4 LR6 1.5V AA 4 Alkaline Batteries (Double set of batteries can help to extend product's lifecycle)

Emergency Power: TYPE-C, DC 9V Alkaline Batteries (Not included in package)

Material: Outer - Al, Zn, ABS ; Inner - Zn, ABS

- 🔑 Push & Pull, convenient to use
- 🔒 Auto/Manual lock
- 📠 Support 100 RFID cards
- 👉 Support 100 fingerprints (DP850)
- 🔢 Support 4 sets of passwords
- 🔑 Mechanical key override
- 📶 Bluetooth Low Energy (BLE) enabled. Password sharing with Bluetooth
- 📄 Support one-time password
- 🔒 Double authentication (Card/Fingerprint plus Password)
- 🗑️ Supports deletion of single card
- 🚨 Alarm function for multiple-entry failure
- 🔥 High temperature alarming function
- 🚪 Alarm for break-in
- 🔊 Volume control & Mute function
- 🔒 Internal electronic lock
- 🚪 Internal safety handle (anti-pet open)



American Security Lab Destructive Testing



More than 40 security testing



Strict UV testing to ensure keep colors consistent

Push & Pull Digital Lock DP830/850

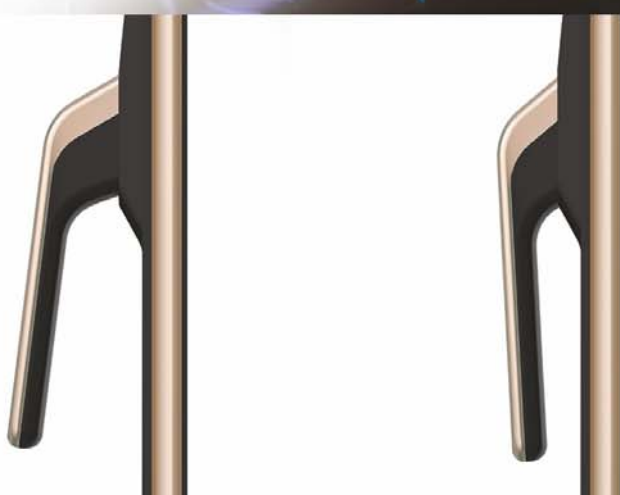
Brand new design, more stylish

Ultra thin with innovative Push & Pull method

One-handed operation

Easy to open the door with fingerprint reader on the Push & Pull handle








Less waiting time with improved fingerprint algorithm



No constraint to open the door from inside or outside
Push/Pull simultaneously



A "Masterpiece" (DP850)

-  Push & Pull simultaneously
-  Fingerprint
-  RFID card
-  Password
-  Bluetooth Low Energy (BLE)
-  Mechanical key
-  Remote control (optional)



DP850 WG
White Gold



DP850 B
Black



DP850 S
Silver



DP850 DS
Dark Silver



DP830 WG
White Gold



DP830 B
Black



DP830 S
Silver



DP830 DS
Dark Silver

Push/Pull Digital Lock MP730/750

MP700 series is premium digital lock with push/pull function. These locks use convenient push/pull handle and high secure automatic motor lock body. The series has Bluetooth Low Energy (BLE) feature allowing user to open the door using his mobile App & share valid password to other users. MP750 version has additional fingerprint reader to open the lock.

- Push/Pull lock with adjustable direction of handles to open door from inside or outside
- Improved security with self locking mortise
- Supports opening of door with Fingerprints (MP750), RFID Cards, Passwords, Mechanical Keys, Bluetooth Low Energy (BLE) and Remote Control (optional)
- High resolution backlit keypad
- High voltage prevention system
- High temperature alarm
- Volume control and mute option
- Emergency power via 9V battery
- Encryption system for anti-hacking

Door thickness for Installation: 40mm~75mm

Password registration: 4-12 digits, up to 4 nos. of passwords

User registration: 100 fingerprints (MP750)

Card registration: 100 RFID cards

BLE device: 10 nos.

Password sharing: One-time password (hardware) and password based on time, bluetooth password (through mobile phone app)

Emergency Key: Mechanical key override

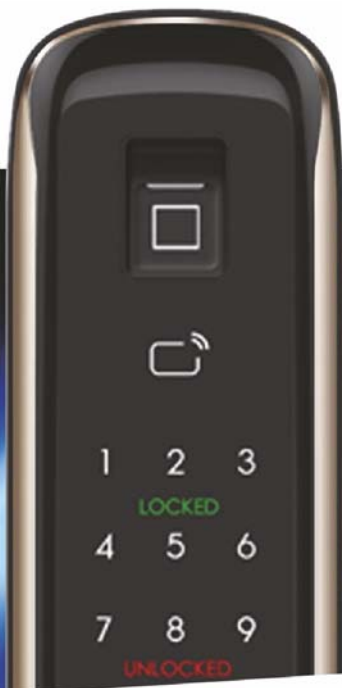
Voltage: DC 6V, 4 LR6 1.5V AA 4 Alkaline Batteries (Double set of batteries can help to extend product's lifecycle)

Emergency Power: DC 9V, Alkaline Batteries (Not included in package)

Material: Outer - Al, Zn, ABS ; Inner - Zn, ABS

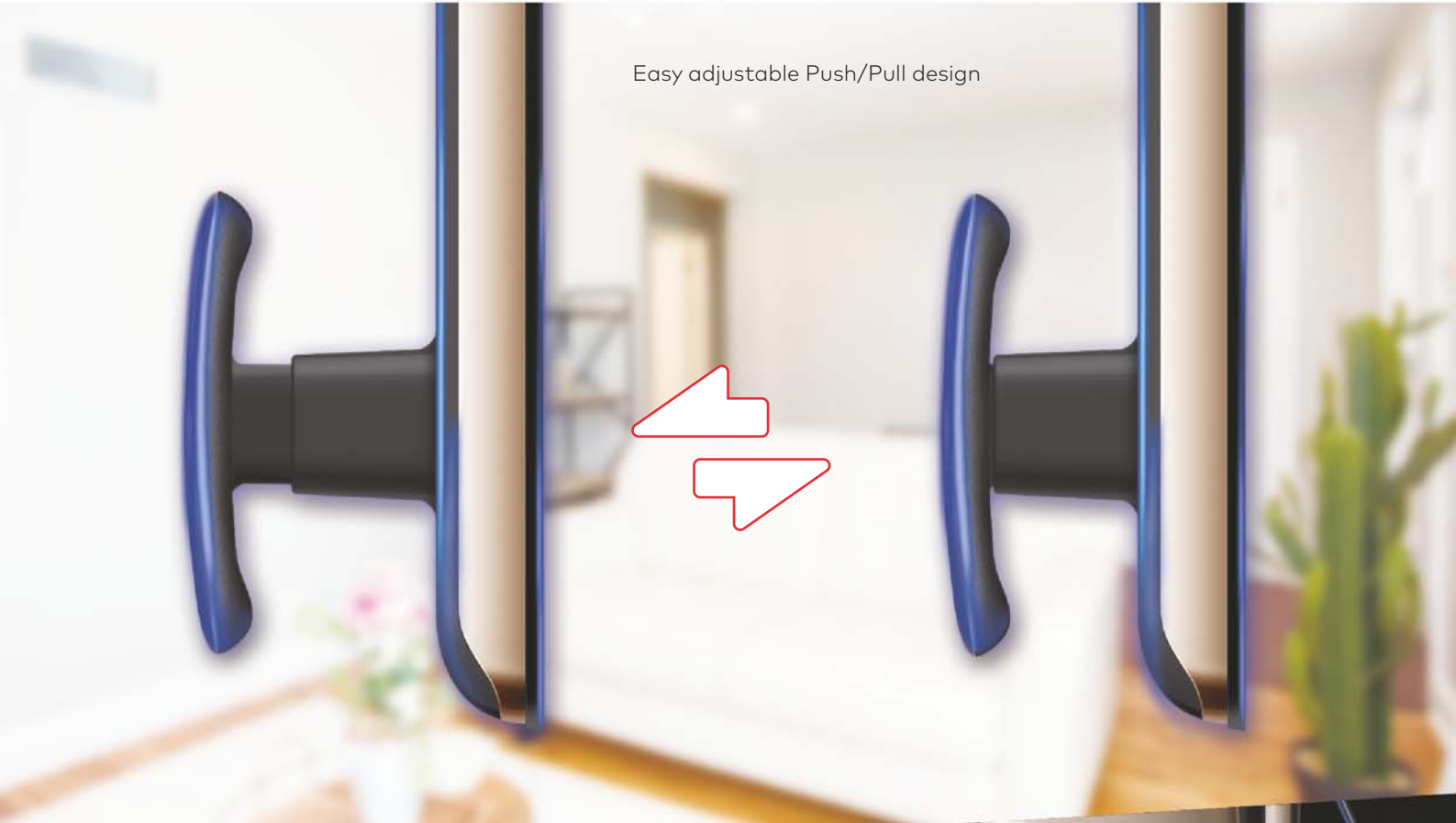
- Push/Pull, easy to use
- Auto/Manual lock
- Support up to 100 RFID cards
- Support 100 fingerprints (MP750)
- Support up to 4 nos. of passwords
- Mechanical key override
- Bluetooth Low Energy (BLE) enabled. Password sharing with Bluetooth
- Support one-time password
- Double authentication (Card/Fingerprint plus Password)
- Supports to delete single RFID card
- Alarm function for multiple-entry failure
- High temperature alarming function
- Alarm for break-in
- Volume control & Mute function
- Internal electronic lock
- Interior safety handle function

 **Bluetooth®**





Push/Pull Digital Lock MP730/750



Easy adjustable Push/Pull design

Interior safety handle function: Mechanical locking handle from inside
(Prevent pet/child from opening the door)



Semiconductor fingerprint reader, ultra-fast response



5 in 1 (MP750)

-  Fingerprint
-  RFID card
-  Password
-  Mechanical key
-  Bluetooth Low Energy (BLE)
-  Remote control (Optional)



MP750 WG
White Gold



MP750 B
Black



MP750 S
Silver



MP730 WG
White Gold



MP730 B
Black



MP730 S
Silver



The Grange

Digital Entry Pull Handle

Outstanding design – Access control entry pull handle

Our new digital door lock is The Grange entrance pull handle. Manufactured using the finest materials to combine the highest standards in quality, functionality and design. Perfect for both residential and commercial applications. The Grange offers both security and convenience with keyless entry.



Perfect for both residential and commercial applications. The Grange offers both security and convenience with keyless entry.

Door thickness for installation: 35mm~55mm

Backset: 60 mm or 70 mm

Password registration: 6-12 digits, up to 100 codes

Card registration: up to 100 RFID Mifare 13.56 MHZ cards/fobs

Emergency key: Mechanical key override

Bluetooth: via dormakaba SmartLock app; up to 10 Bluetooth devices

can be paired with one lock

Power: 8 AA alkaline batteries (not included)

Operating temperature: -10°C to +50°C

Humidity: 10 to 90%

Construction: 316 stainless steel pull handles secured with heavy-duty tubular deadbolt

Items	Description	Finish
Grange SSS	The Grange Entrance Pull Handle	Stainless Steel
Grange BLK	The Grange Entrance Pull Handle	Matt Black
Grange Dummy SSS	The Grange Dummy Handle	Stainless Steel
Grange Dummy BLK	The Grange Dummy Handle	Matt Black

-  Integrated keyless entry
-  Supports opening of door with Password, RFID card or fob, Bluetooth Low Energy (BLE)
-  High resolution backlit keypad
-  Back to back pull handle
-  Secured with a heavy-duty deadbolt
-  Low battery alarm
-  Anti-tamper lockout after 5 invalid attempts for 3 minutes





Auto-lock, Inner-lock and Re-lock function

- Auto-lock: The door will lock once closed
- Inner-lock: When activated from the inside, the lock cannot be opened from the outside, even with a valid pin code or access card
- Re-lock: After unlocking, the door will re-lock after 7 seconds, if not opened

Digital Mortise Lock ML Series

The ML Series is an electronic door lock featuring European standard size lock body. Its mortise design makes it suitable for a variety of applications.

- Durable metal body
- High resolution, backlit keypad
- Supports opening of door with Fingerprints (ML550), RFID Cards, Passwords, Mechanical Keys, Bluetooth Low Energy (ML550) and Remote Control (optional)
- High voltage prevention system
- Auto and manual lock functions
- Volume control and mute function
- Emergency power via 9V battery

Door thickness for Installation: 40mm~75mm

Password registration: 4 - 12 digits and up to 4 nos. of passwords

Fingerprint registration: 100 fingerprints (ML550)

Card registration: 100 RFID cards

BLE device: 10 nos. (ML550)

Emergency key: Mechanical key override

Voltage: DC 6V, 4 LR6 1.5V AA Alkaline Batteries

Emergency Power: DC 9V (Not included)

Detection of High Temperature: Temperature Sensor 72±5°C (Laboratory Environment), 62±5°C (General Environment)

Material: Outer - Al, Zn, ABS ; Inner - Zn, ABS

- Auto or Manual lock
- Support up to 100 RFID cards
- Support up to 4 nos. of passwords
- Support up to 100 fingerprints (ML550)
- Mechanical key override
- Bluetooth Low Energy (BLE) enabled. Password sharing with Bluetooth (ML550)
- Support one-time passwords
- Double authentication (Card / Fingerprint plus Password)
- Supports to delete single RFID card
- High temperature alarming function
- Alarm function for multiple-entry failure
- Volume control & Mute function
- Internal electronic lock
- Mechanical key override



A robust lock with a stylish design makes the ML Series perfect for use on front doors

Digital Mortise Lock ML330/ML530/ML550

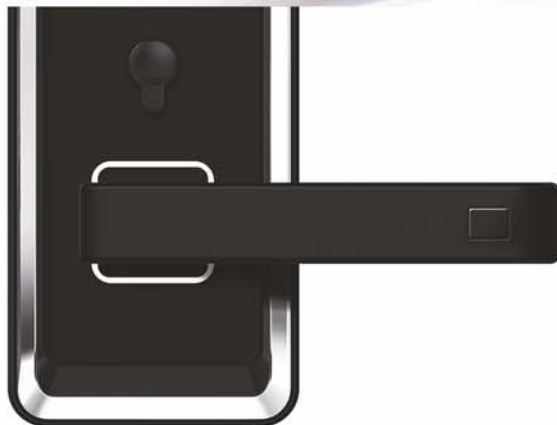


Virtual number function

Anti-peek function to provide improved security

User Management

- Up to 100 RFID cards
- 4 sets of password
- One-time password
- Up to 100 Fingerprints (ML550)
- Up to 10 BLE devices can be paired (ML550)



Built-in high temperature sensor, intrusion alarm and alarm for multiple wrong passwords

Alarm will go off if temperature in the room rises abnormally

ML550



5 in 1 (ML550)

-  Fingerprint
-  RFID card
-  Password
-  Mechanical key
-  Bluetooth Low Energy (BLE)
-  Remote control (optional)



ML330



ML530



ML550

Digital Rim Lock RL599

RL599 is a 5-in-1 function digital rim lock. It is a surface mounted intelligent auxiliary electronic lock. Convenient and secure locking solution for various projects.

- Durable metal body
- Surface mounted electronic lock
- Supports opening of door with Fingerprints, RFID cards, Passwords, Mechanical keys, Bluetooth Low Energy (BLE) and Remote control (Optional)
- Virtual number function for higher security
- Auto and manual lock functions
- Volume control and mute function
- High resolution, backlit digital keypad
- High voltage prevention system
- High temperature alarm
- Emergency power via 9V battery

Install condition: Door thickness 40mm~90mm

Fingerprint registration : 100 users

BLE device: 10 nos.

Password registration: 4-12 digits, and up to 4 nos. of passwords

Card registration: 100 RFID cards

Emergency key: Mechanical key override

Voltage: DC 6V, 4 LR6 1.5V AA Alkaline Batteries

Emergency Power: DC 9V (Not included)

Detection of High Temperature: Temperature Sensor

72±5°C (Laboratory Environment). 62±5°C (General Environment)

Material: Outer: Al, Zn, ABS Inner: Zn, ABS



- Surface mounting, easier to install
- Auto or Manual lock functions
- Support up to 100 fingerprints
- Bluetooth Low Energy (BLE) enabled. Password sharing with Bluetooth
- Support up to 100 RFID cards
- Mechanical key override
- Support up to 4 nos. of passwords
- Support one-time password
- Double authentication (Card/Fingerprint plus Password)
- Supports to delete single RFID card
- Virtual number function for higher security
- High temperature alarm
- Alarm for multiple-entry failure
- Alarm for break-in
- High voltage prevention system
- Internal electronic lock
- Encryption system for anti-hacking
- Volume control & Mute function



Digital Rim Lock RL320

The RL320 is a surface mounted intelligent auxiliary electronic lock that provides a convenient and secure locking solution for various projects.

- Durable metal body
- Surface mounted electronic lock
- Supports opening of door with RFID Cards, Passwords and Remote Control (optional)
- Virtual number function for higher security
- Auto and manual lock functions
- Volume control and mute function
- High resolution, backlit digital keypad
- High voltage prevention system
- High temperature alarm
- Emergency power via 9V battery

Door thickness for Installation: 40mm~50mm
 Password registration: 4-12 digits, and up to 4 nos. of passwords

Card registration: 100 RFID cards

Voltage: DC 6V, 4 LR6 1.5V AA Alkaline Batteries

Emergency Power: DC 9V (Not included)

Detection of High Temperature: Temperature Sensor

72±5°C (Laboratory Environment), 62±5°C (General Environment)

Material: Outer - Al, Zn, ABS ; Inner - Zn, ABS

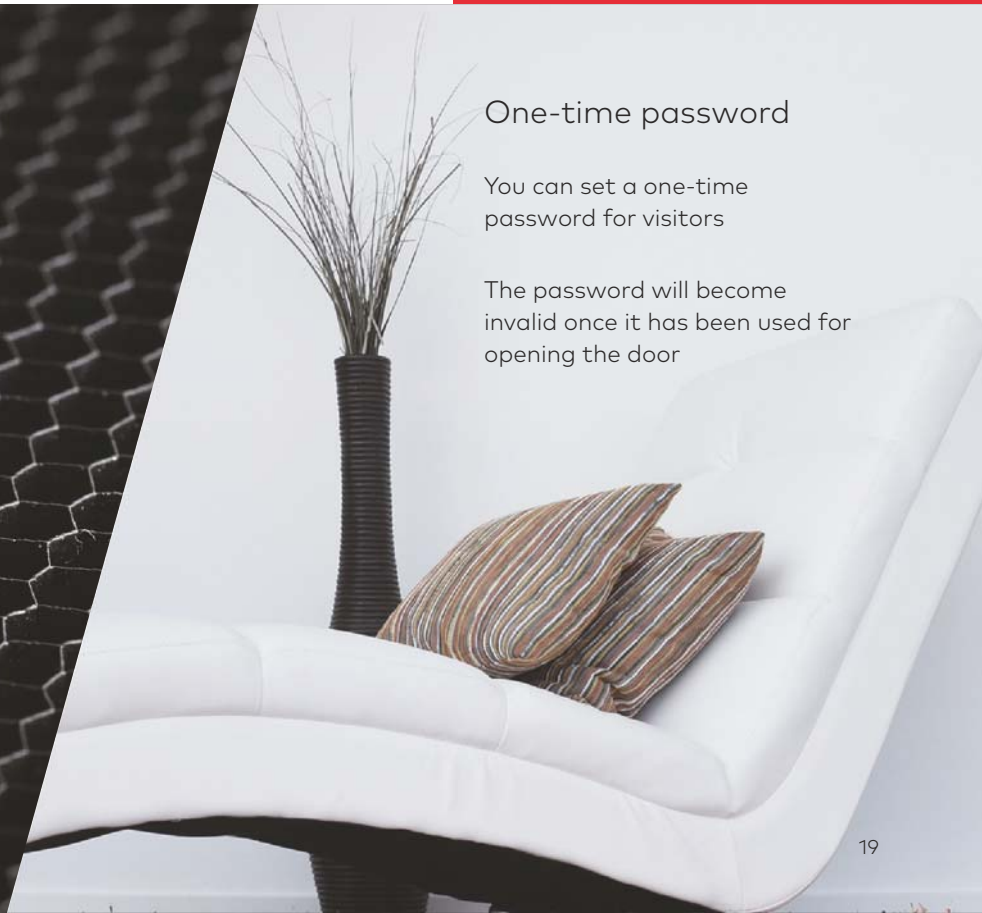


- Surface mounting, easier to install
- Auto or Manual lock functions
- Support up to 100 RFID cards
- Support up to 4 nos. of passwords
- Support one-time password
- Double authentication (Card plus Password)
- Supports to delete single RFID card
- High temperature alarm
- Alarm for multiple-entry failure
- Mute function
- Volume control

One-time password

You can set a one-time password for visitors

The password will become invalid once it has been used for opening the door



Digital Glass Lock GL220

GL220 is a surface-mounted intelligent electronic lock for frameless glass doors. It provides convenient and safe glass door security solution with minimal glass preparation.

- Easy to install, no glass punching required
- Gravity sensor for adjusting lock on glass
- Stainless steel bolts for security
- Door can be unlocked via RFID card, Password and Remote Control (optional)
- Slider design to protect against UV damage

Door thickness for Installation: Glass door 10mm~12mm

Password registration: 4-12 digits, and up to 4 nos. of passwords

Card registration: 100 RFID cards

Voltage: DC 6V, 4 LR6 1.5V AA Alkaline Batteries

Emergency Power: DC 9V (Not included)

Detection of High Temperature: Temperature Sensor $72\pm 5^{\circ}\text{C}$ (Laboratory Environment), $62\pm 5^{\circ}\text{C}$ (General Environment)

Material: Outer - Al, Zn, ABS ; Inner - Zn, ABS

- Intuitive interface provides visual unlock signal
- Gravity sensor
- Auto or manual locking
- Support up to 100 RFID cards
- Support up to 4 nos. of passwords
- Support one-time password
- Double authentication function (Card plus Password)
- High temperature alarm
- Alarm for multiple-entry failure
- Alarm for break-in
- Volume control
- Easy to add and delete single RFID card

Gravity Sensor

This intelligent door lock can identify when being moved in a left or right direction. This self-contained function makes installation easier by ensuring digital keys are visible in correct order



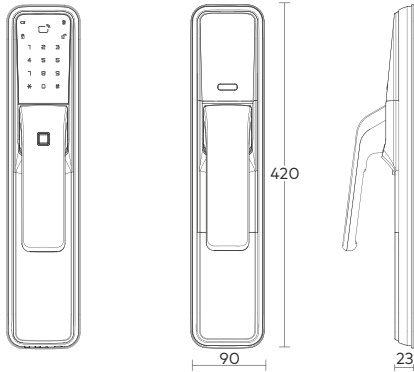


GL220

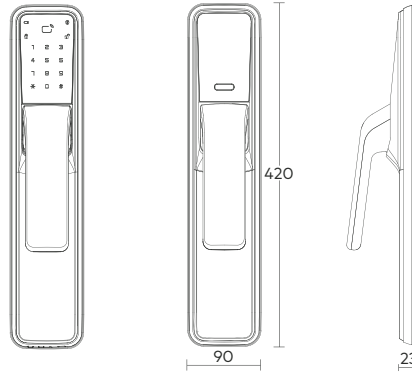


Stainless Steel Bolt

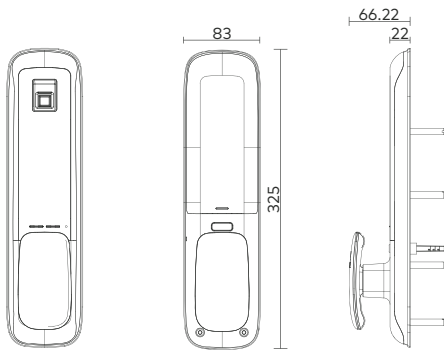
Product Dimensions



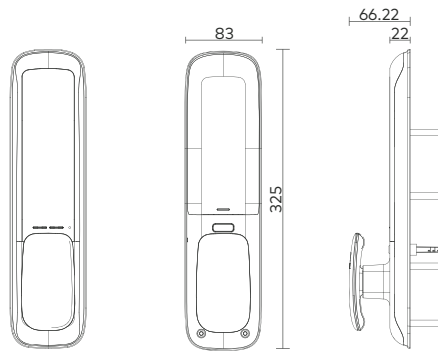
DP850



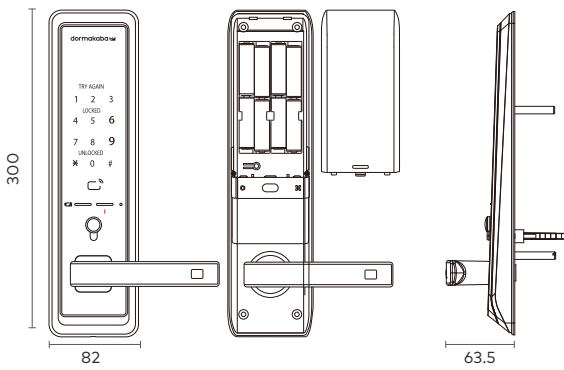
DP830



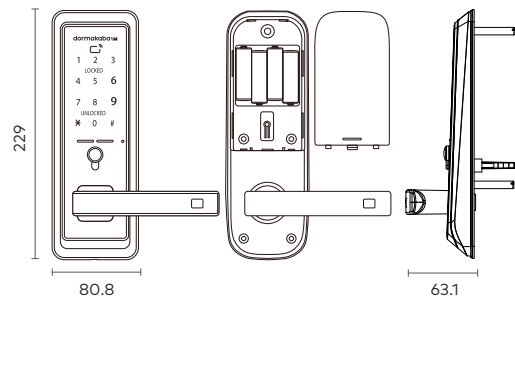
MP750



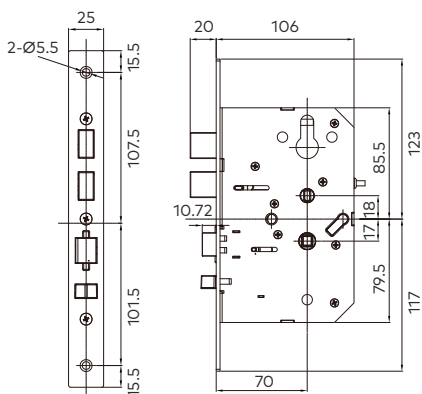
MP730



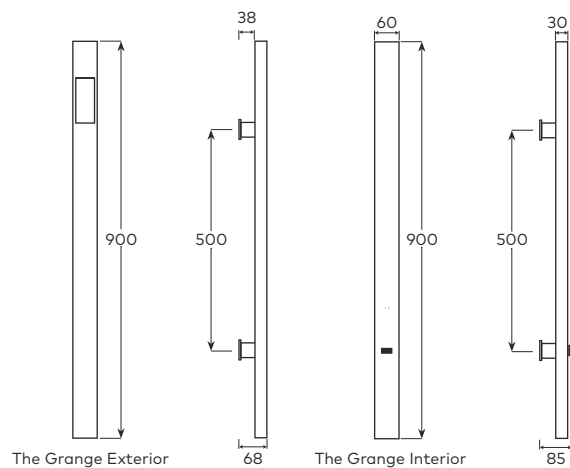
ML530/550



ML330

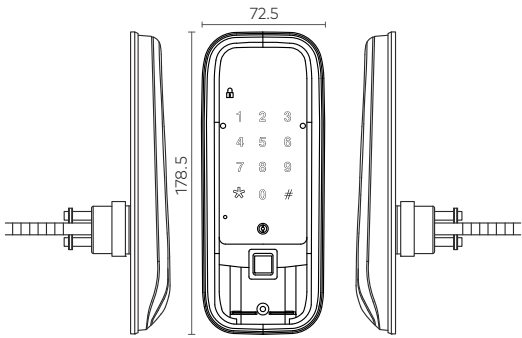


LOCK BODY

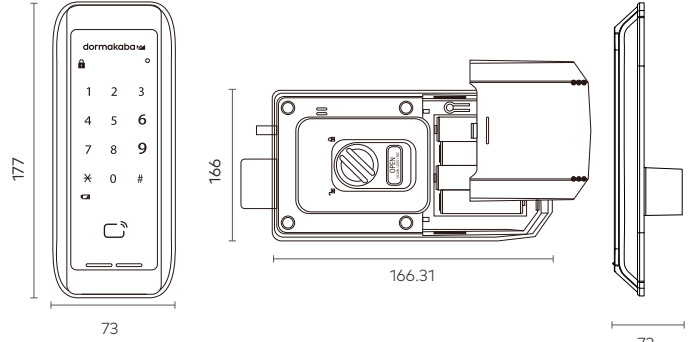


The Grange Exterior

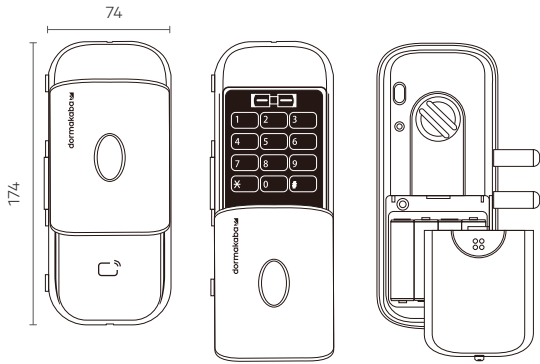
The Grange Interior



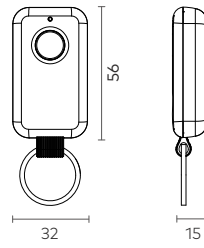
RL599



RL320



GL220



Tx300 (Remote)

